

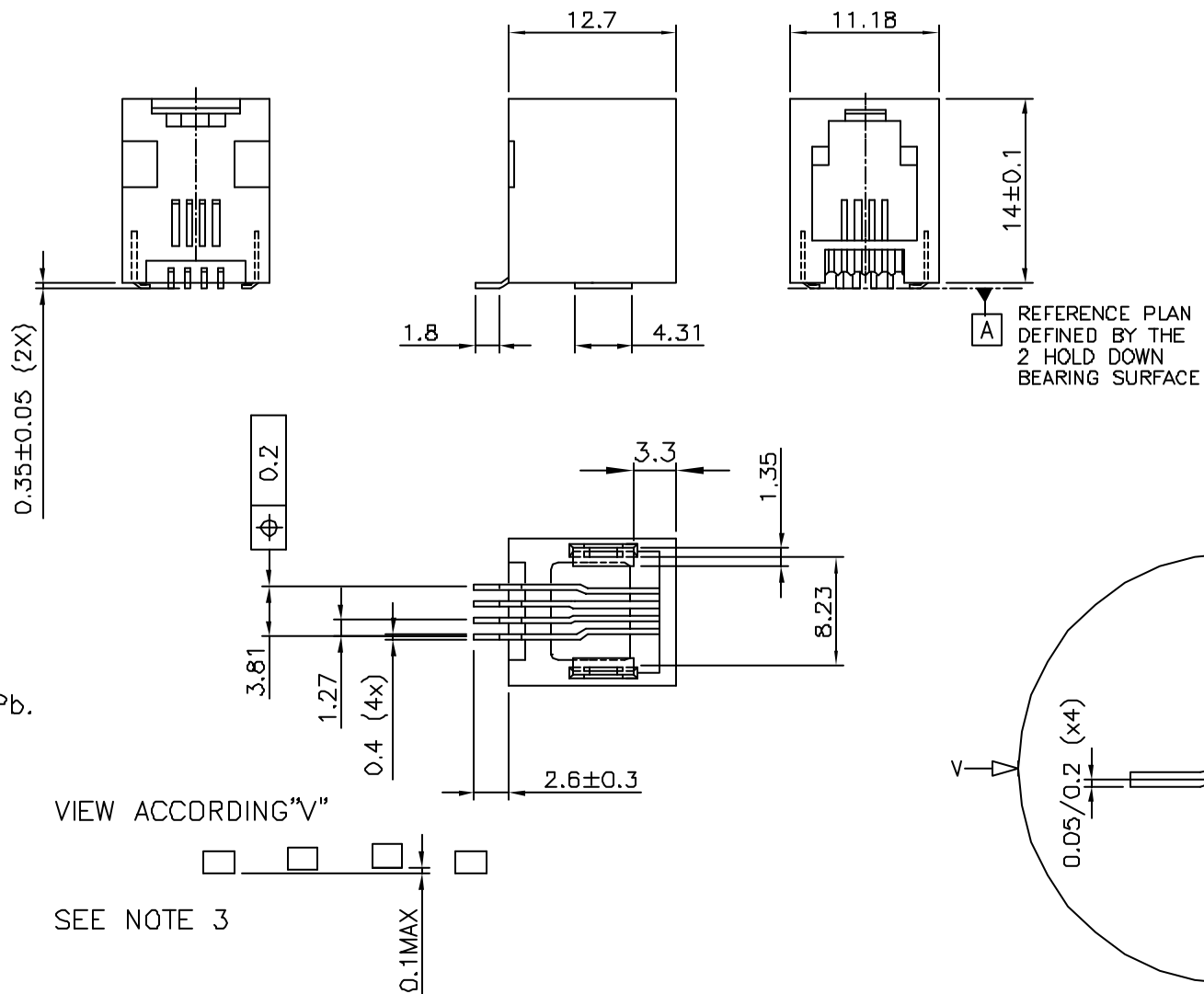
PRODUCT NUMBER  
73327-XXXLF

PLATING OPTION  
1= GXT 0.76  $\mu\text{m}$   
3= GOLD 0.76  $\mu\text{m}$   
5= GOLD 1.27  $\mu\text{m}$

PACKAGE OPTION  
1= TAPE ON REEL  
2= TUBE

TERMINAL LOADING  
1= FULLY LOADED

WHEN NEEDED, SUFFIX LETTER "LF" INDICATES THE PRODUCT IS RoHS COMPATIBLE, SEE NOTE 4.



NOTES:

- 1- MATERIAL: HOUSING: HIGH TEMP. NYLON, COLOUR BLACK.  
TERMINAL: PHOSPHOR BRONZE.
- 2 - PLATING: CONTACT AREA: SEE TABLE.  
SOLDER TAIL : 90/10 SnPb 2 $\mu\text{m}$  MIN.  
WHEN SUFFIX "LF" IS REQUIRED, 2 $\mu\text{m}$  MIN MATTE TIN OVER 1.27 MIN Ni IS SUPPLIED INSTEAD OF SnPb.  
NO RAW EDGES EXEPT SOLDER TAIL TIPS
- 3 - SOLDER TAILS COPLANARITY : 0.1 mm
- 4 - RoHS COMPATIBLE PRODUCT SPECIFICATIONS

a - PLATING:

- "LF" MEANS THE PRODUCT IS LEAD-FREE, 2 $\mu\text{m}$  MINIMUM MATTE TIN OVER 1.27 $\mu\text{m}$  MINIMUM NICKEL UNDERPLATE.

b - MANUFACTURING PROCESS COMPATIBILITY

- THE HOUSING WILL WITHSTAND EXPOSURE TO 245°C PEAK TEMPERATURE FOR 30 SECONDS MAX IN A CONVECTION, INFRA-RED OR VAPOR PHASE OR REFLOW OVEN.

c - LABELING:

- MEETS PACKAGING SPECS AS PER GS-14-920

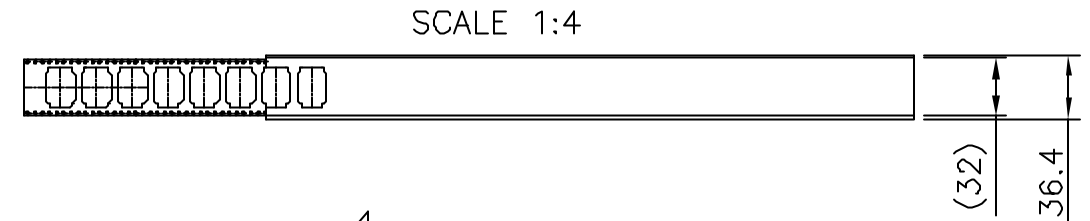
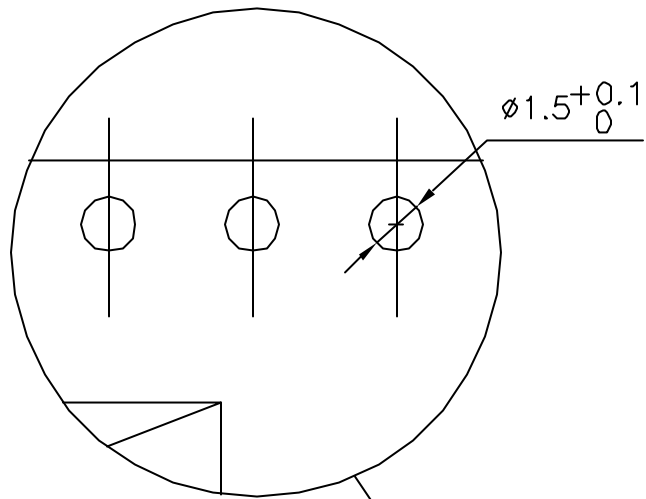
d - LEGAL STATEMENT: SEE GS-22-008

CUSTOMER COPY FOR REFERENCE ONLY

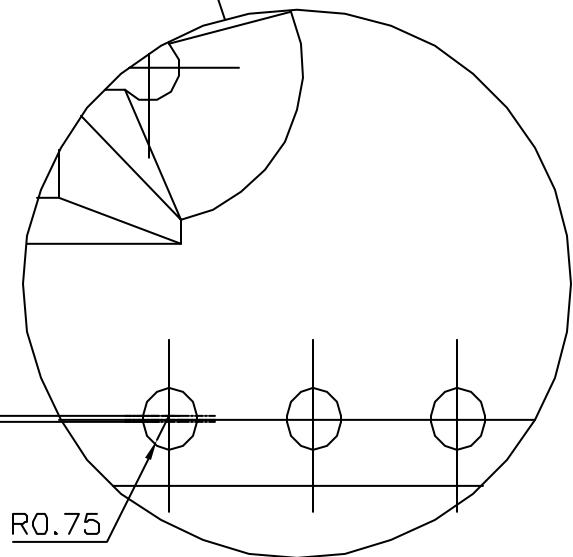
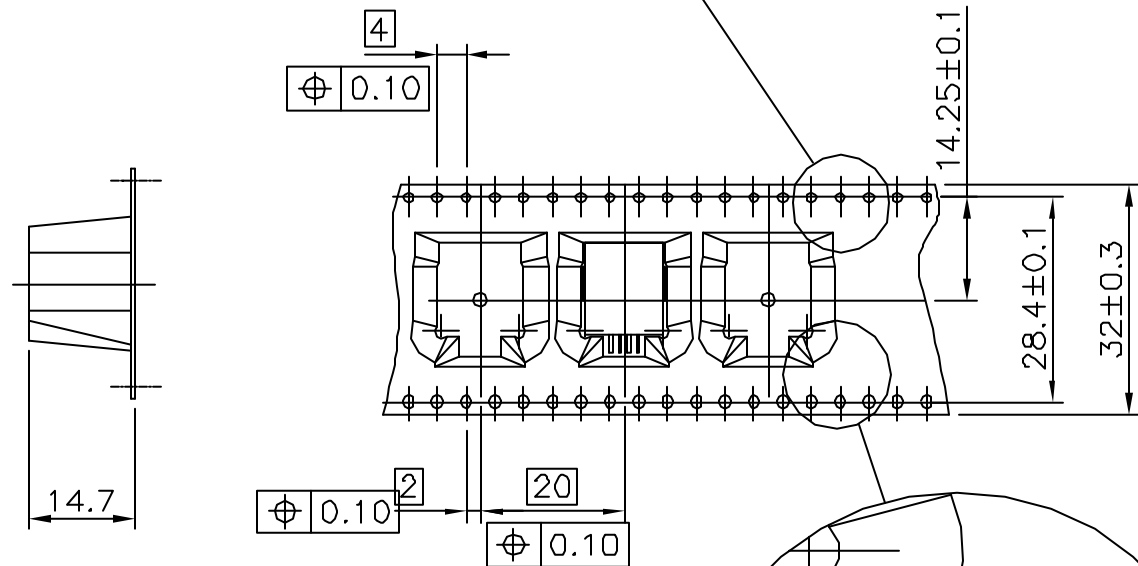
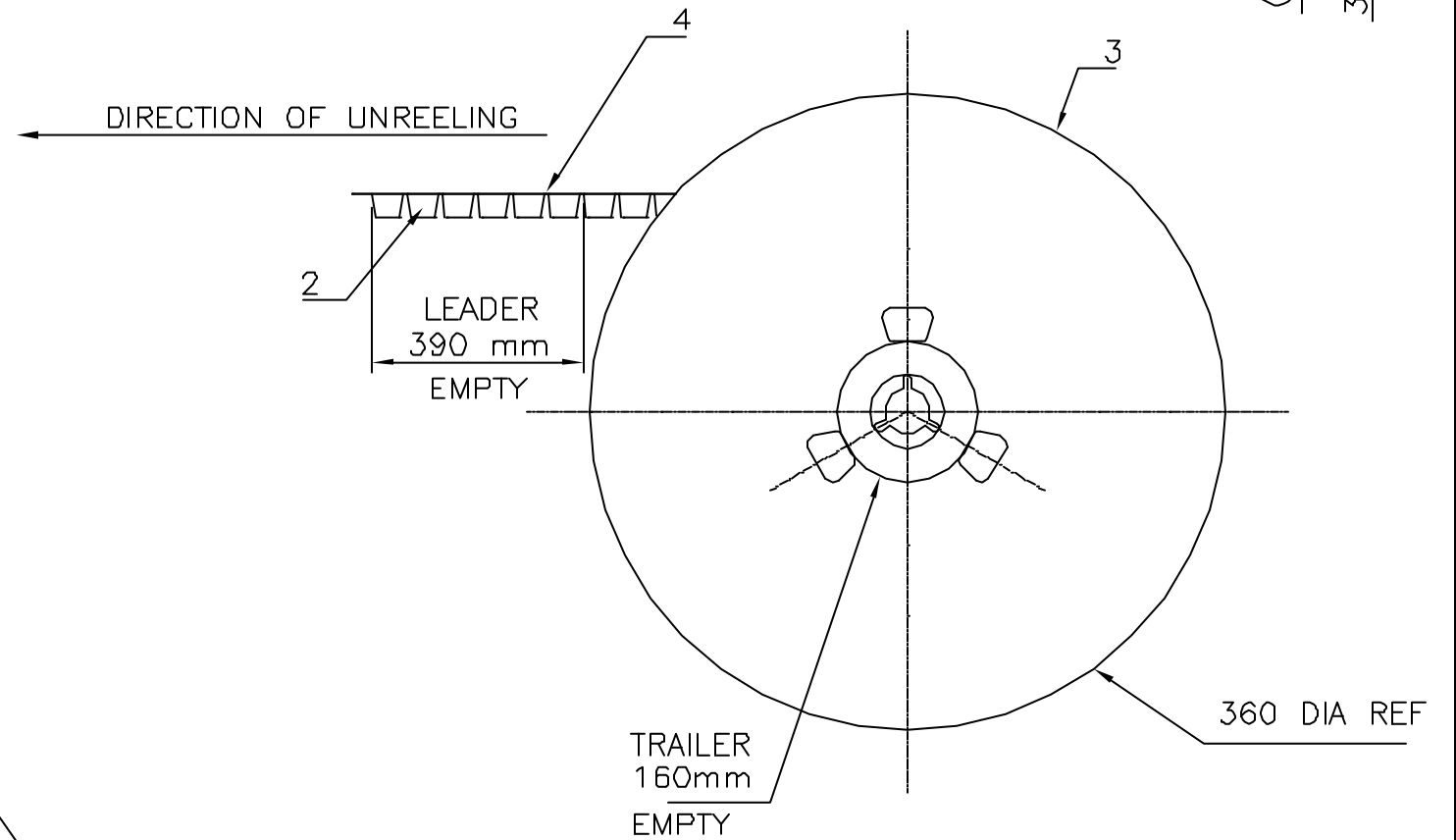
mat'l. code		surface	tolerance	projection	product family
		ISO 1302	ISO 406 ISO 1101		MOD JACK
ltr	ecn no	dr	date	tolerances unless otherwise specified	title
H	F05-0247	DLE	05.09.12	±0.13	SMT RA JACK 4 POS NARROW INSIDE
J	F06-0240	DLE	06.07.18	linear	
		angles	±2'	scale 2:1	dwg no
D	F80620	DLE	98.11.26	dr	sheet 1 of 3
E	F90120	DLE	99.02.01	engr	size
F	F03020	DLE	03.01.27	chr	73327
G	F04-0363	DLE	04.10.18	appd	A3
					type
					CUSTOMER Drawing
sheet	revision	J	F	B	
index	sheet	1	2	3	

PRODUCT NUMBER  
SEE SHEET 1

LTR	PART NAME	QTY
1	PRODUCT	280
2	TAPE	1
3	REEL	1
4	COVER TAPE	1



SCALE 1:4



1- IN ACCORDANCE WITH EIA-481 AND IEC 296-3

CUSTOMER COPY FOR REFERENCE ONLY

mat'l. code		surface ISO 1302		tolerance ISO 406 ISO 1101		projection mm		product family MOD-JACK	
ltr		ecn no		dr		date		title	
E		F90120		DLE		99.02.01		SMT RA JACK	
F		F06-0240		DLE		06.07.18		4 POS. NARROW INSIDE	
sheet index		revision sheet		dr		D LEGRAND		06.07.18	
				engr		P NIZZI		06.07.18	
				chr		D LE		06.07.18	
				appd		P NZ		06.07.18	
				dwg no		73327		sheet 2 of 3	
				type		CUSTOMER Drawing		size A3	



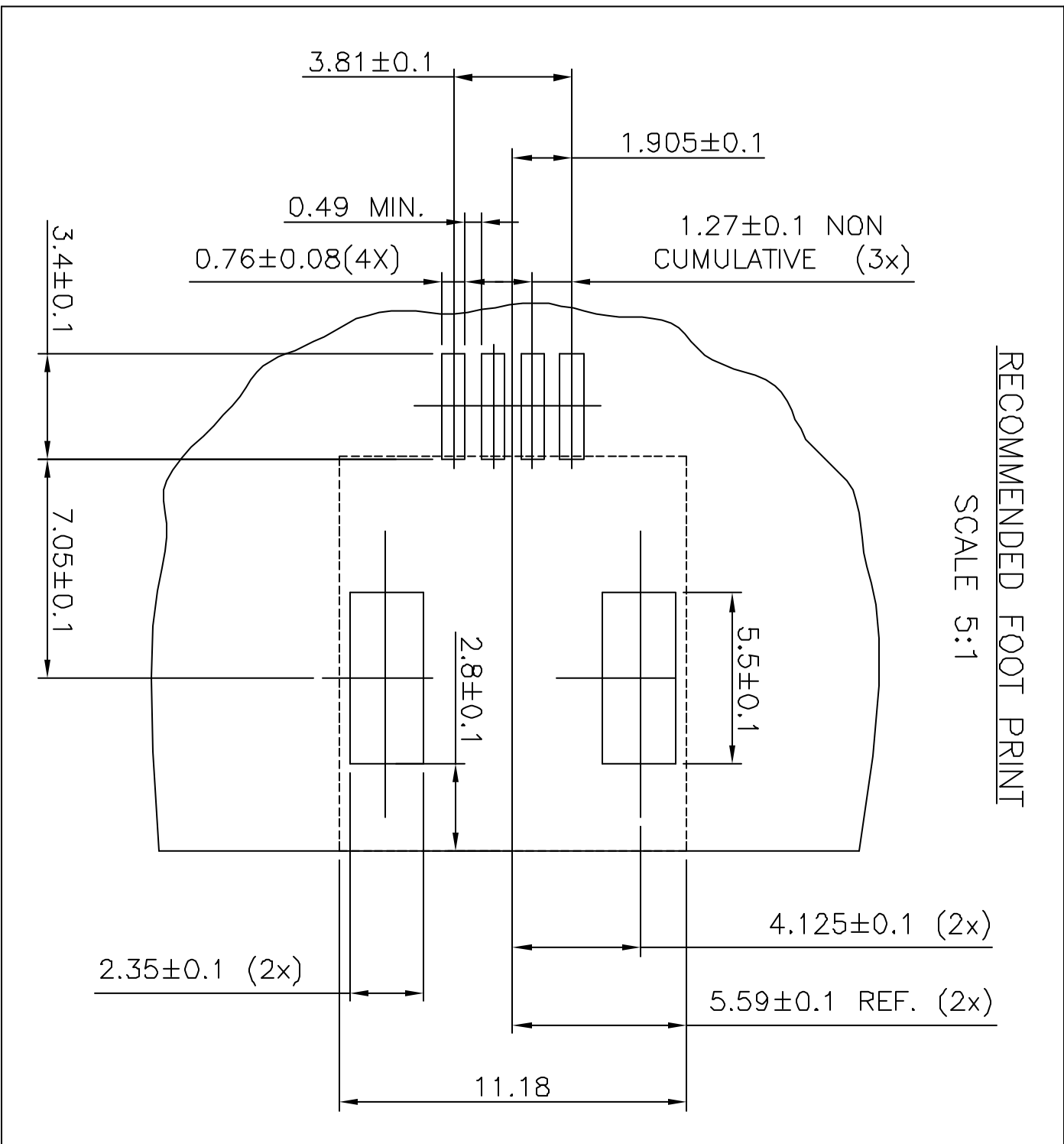
Copyright FCI

form: A3



1

2



CUSTOMER COPY FOR REFERENCE ONLY

mat'l. code		surface		tolerance		projection		product family	
ISO 1302		ISO 406		ISO 1101		mm		MOD JACK	
tolerances unless otherwise specified		±0.13		mm		scale 2:1		title	
SMT RA JACK		4 POS NARROW INSIDE		dwg no		73327		sheet 3 of -	
CUSTOMER Drawing		size		A4					
ltr	ecn no	dr	date	angles	linear	dr	engr	chr	appd
A	F04-0363	DLE	04.10.18	±2°		D	P NIZZI	D	P NZ
B	F06-0240	DLE	06.07.18						
sheet index		revision		sheet		sheet		sheet	
1		1		1		1		1	